



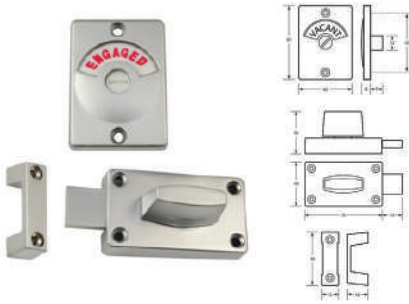
# WASHROOM FITTINGS

## TOILET PARTITION HARDWARE

Indicator Sets	4
Bumpers	5
Staples	6
Pedestal Legs	7-8
Hinges	9
Coat Hooks	10
Toilet Roll Holders	11
Grab Rails	11
Aluminium Channel & Insert	12-13

## TOILET PARTITION HARDWARE - INDICATOR SETS

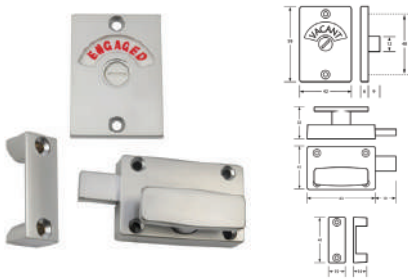
### Series 100 Lock & Indicator Set



- Diecast zinc
- Screw fix mounting

Part No	Description	Finish	Price ea	Price /20	Per
83.00.100	Indicator Set	SC	\$18.60	\$15.50	ea

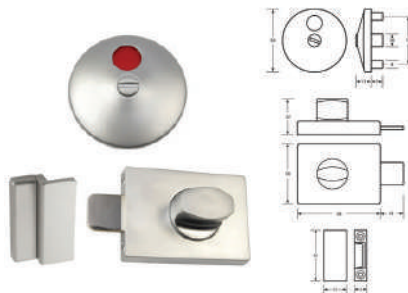
### Series 200 Indicator Set



- Diecast zinc
- Screw fix mounting

Part No	Description	Finish	Price ea	Price /20	Per
83.00.200	Indicator Set	SC	\$15.95	\$13.29	ea

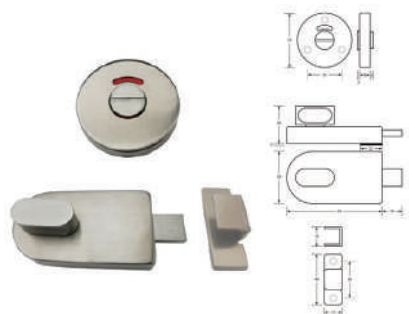
### Series 300 Indicator Set



- Concealed fix surface mounted

Part No	Description	Finish	Price ea	Price /20	Per
83.00.301	Indicator Set	SC	\$23.94	\$19.95	ea

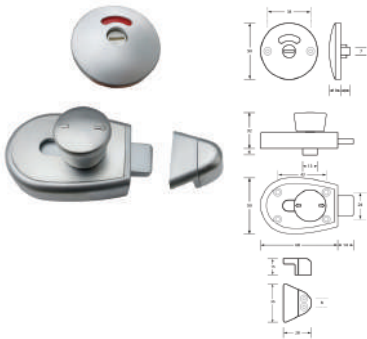
### Series 700 SS Bumper/Lock Indicator Set



- Stainless Steel
- Concealed fix surface mounted
- Integrated Bumper Stop
- Multiple fixing point for heavy duty use

Part No	Description	Finish	Price ea	Price /20	Per
83.00.700	Bumper/Lock Indicator Set	SS	\$36.55	\$30.46	ea

## XCEL Series Slide Lock & Indicator Set

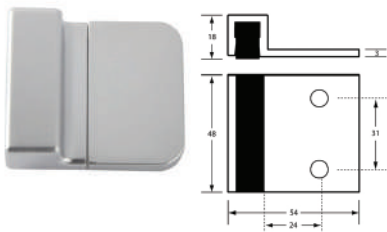


- Diecast Zinc, Concealed screw fix
- Unique easy glide slide lock for restricted hand mobility
- Raised directional arrows for vision impaired

Part No	Description	Finish	Price ea	Price /20	Per
83.00.800	Indicator Set Slide Lock	SC	\$27.70	\$23.08	ea

## TOILET PARTITION HARDWARE - BUMPERS

### Concealed Fix Bumper



- Diecast Zinc
- Rubber Insert

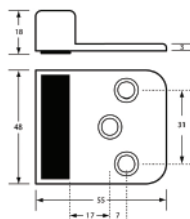
Part No	Description	Finish	Price ea	Price /20	Per
83.00.101	Concealed Fix Bumper	SC	\$8.30	\$6.92	ea

### Bumper

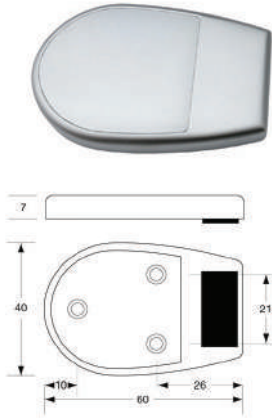


- Brass, SC finish
- Rubber Insert

Part No	Description	Finish	Price ea	Price /20	Per
83.02.101	Screw Fix	SC	\$12.38	\$10.52	ea
83.02.107	Bolt through (includes fittings)	SC	\$15.74	\$13.38	ea



## XCEL Series Bumper

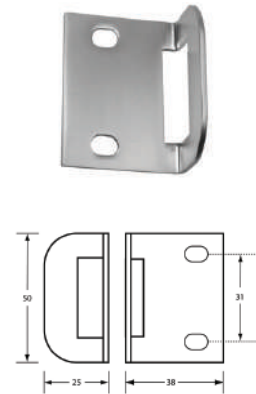


- Diecast Zinc
- Concealed Screw Fix
- Not included with XCEL series indicator set

Part No	Description	Finish	Price ea	Price /20	Per
83.02.108	XCEL Series Bumper	SC	\$8.92	\$7.58	ea

## TOILET PARTITION HARDWARE - STAPLES

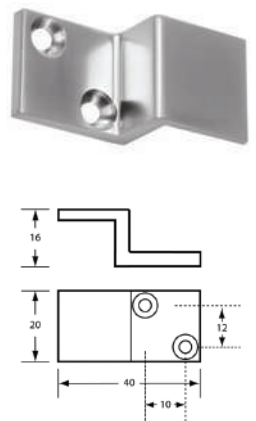
### Staples



- Brass, SC Finish
- Bolt through

Part No	Description	Finish	Price ea	Price /20	Per
83.03.108	Staple	SC	\$7.52	\$6.27	ea

### Z Lift Off Staple



- Brass, SC Finish
- Screw Fix

Part No	Description	Finish	Price ea	Price /20	Per
83.03.117	Screw Fix Staple	SC	\$4.88	\$4.07	ea
83.03.117C	Concealed Screw Fix Staple	SC	\$4.44	\$3.70	ea

## TOILET PARTITION HARDWARE - PEDESTAL LEGS

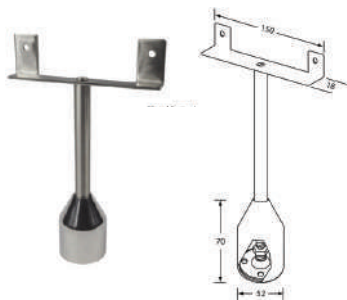
### Adjustable Rebated Partition Leg



- 50mm adjustment

Part No	Description	Finish	Price ea	Price /10	Per
83.10.150	125mm min - 175mm max height	SS	\$48.56	\$40.47	ea
83.10.200	175mm min - 225mm max height	SS	\$52.00	\$43.33	ea
83.10.250	225mm min - 275mm max height	SS	\$54.60	\$45.50	ea
83.10.300	275mm min - 325mm max height	SS	\$59.32	\$49.43	ea

### Adjustable Double Fix Partition Leg



- 50mm adjustment

Part No	Description	Finish	Price ea	Price /10	Per
83.11.150	125mm min - 175mm max height	SS	\$48.15	\$40.13	ea
83.11.200	175mm min - 225mm max height	SS	\$48.15	\$40.13	ea
83.11.250	225mm min - 275mm max height	SS	\$53.75	\$44.79	ea
83.11.300	275mm min - 325mm max height	SS	\$57.17	\$47.64	ea

### Adjustable Single Fix Partition Leg

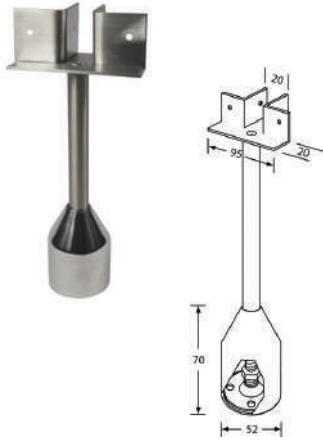


- 50mm adjustment

Part No	Description	Finish	Price ea	Price /10	Per
83.12.150	125mm min - 175mm max height	SS	\$42.13	\$35.11	ea
83.12.200	175mm min - 225mm max height	SS	\$45.57	\$37.98	ea
83.12.250	225mm min - 275mm max height	SS	\$47.72	\$39.77	ea
83.12.300	275mm min - 325mm max height	SS	\$51.16	\$42.63	ea



## Adjustable T Piece Partition Leg



- 50mm adjustment

Part No	Description	Finish	Price ea	Price /10	Per
83.22.150	125mm min - 175mm max height	SS	\$54.16	\$45.13	ea
83.22.200	175mm min - 225mm max height	SS	\$57.60	\$48.00	ea
83.22.250	225mm min - 275mm max height	SS	\$59.75	\$49.79	ea
83.22.300	275mm min - 325mm max height	SS	\$63.31	\$52.76	ea

## Adjustable Heavy Duty Aluminium Leg

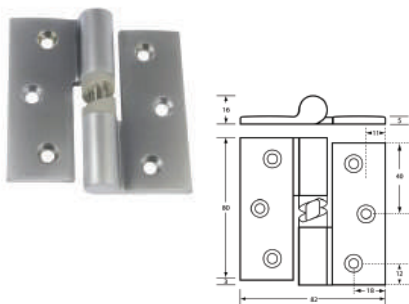


- 40mm adjustment

Part No	Description	Finish	Price ea	Price /10	Per
83.20.165	165mm min - 205mm max height	ALU	\$37.82	\$31.52	ea
83.20.200	185mm min - 225mm max height	ALU	\$40.20	\$33.50	ea

## TOILET PARTITION HARDWARE - HINGES

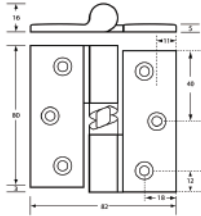
### Gravity Hinge - Screw Fix



- Diecast zinc, Stainless steel shaft, Nylon inserts

Part No	Description	Finish	Price ea	Price /10	Per
83.40.106 HO LH	Hold Open LH	SC	\$30.80	\$25.67	pair
83.40.106 HO RH	Hold Open RH	SC	\$30.80	\$25.67	pair
83.40.106 HC LH	Hold Closed LH	SC	\$30.80	\$25.67	pair
83.40.106 HC RH	Hold Closed RH	SC	\$30.80	\$25.67	pair

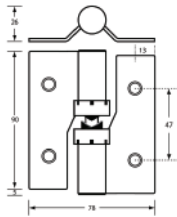
## Gravity Hinge - Concealed Fix



- Diecast zinc, Stainless steel shaft, Nylon inserts

Part No	Description	Finish	Price ea	Price /10	Per
83.40.106C HC LH	Hold Closed LH	SC	\$34.80	\$29.00	pair
83.40.106C HC RH	Hold Closed RH	SC	\$34.80	\$29.00	pair
83.40.106C HO LH	Hold Open LH	SC	\$34.80	\$29.00	pair
83.40.106C HO RH	Hold Open RH	SC	\$34.80	\$29.00	pair

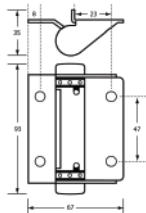
## Gravity Hinge - Bolt Through



- Stainless steel, Nylon inserts

Part No	Description	Finish	Price ea	Price /10	Per
83.40.106B HC LH	Hold Closed LH	SS	\$52.08	\$43.40	pair
83.40.106B HC RH	Hold Closed RH	SS	\$52.08	\$43.40	pair
83.40.2106B HO LH	Hold Open LH	SS	\$52.08	\$43.40	pair
83.40.2106B HO RH	Hold Open RH	SS	\$52.08	\$43.40	pair

## Spring Hinge



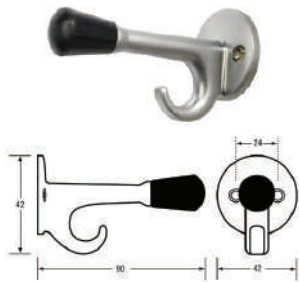
- Stainless steel

Part No	Description	Finish	Price ea	Price /10	Per
83.40.209B HO	Bolt Through - Hold Open	SS	\$72.92	\$60.77	pair
83.40.209B HC	Bolt Through - Hold Closed	SS	\$72.92	\$60.77	pair



## COAT HOOKS

### 102 Screw Fix Coat Hooks



- Diecast Zinc
- Rubber Bumper

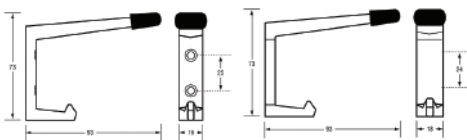
Part No	Description	Finish	Price ea	Price /20	Per
83.60.102	Screw Fix Coat Hook	SC	\$7.10	\$5.92	ea

### 202 Coat Hooks



- Diecast Zinc
- Rubber Bumper

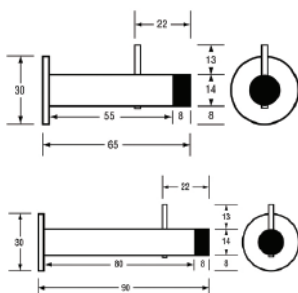
Part No	Description	Finish	Price ea	Price /20	Per
83.60.202	Screw Fix Coat Hook	SC	\$7.75	\$6.46	ea
83.60.202C	Concealed Fix Coat Hook	SC	\$8.87	\$7.39	ea



### Coat Hook with bumper



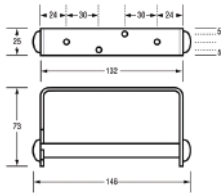
- Stainless Steel
- Rubber Bumper



Part No	Description	Finish	Price ea	Price /20	Per
83.60.160	Coat Hook with Bumper, 35 x 30 x 65	SC	\$12.77	\$10.64	ea
83.60.162	Coat Hook with Bumper, 35 x 30 x 90	SC	\$14.04	\$11.70	ea

## TOILET ROLL HOLDERS

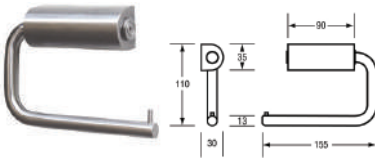
### Single Toilet Roll Holder



- Surface Mount Visible Fix

Part No	Description	Finish	Price ea	Price /20	Per ea
83.70.113	Stainless Steel	SS	\$16.48	\$13.73	ea

### Single Toilet Roll Holder

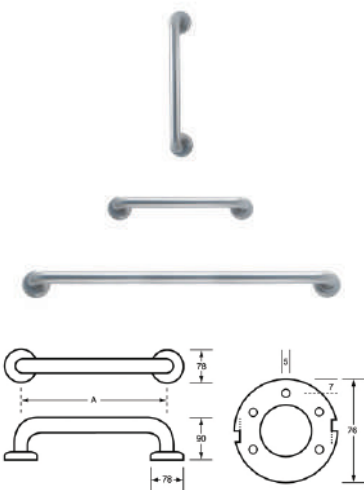


- Surface Mount Security Concealed Fix

Part No	Description	Finish	Price ea	Price /20	Per ea
83.70.413	Stainless Steel	SS	\$44.65	\$37.21	ea

## GRAB RAILS

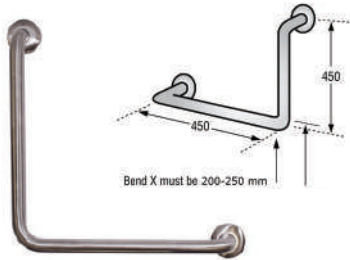
### Straight Grab Rail



- 32mm Ø #304 Stainless Steel
- Concealed Fix - 78mm Ø Mount
- GST exempt

Part No	Description	Finish	Price ea	Price /20	Per ea
83.80.327	300mm centre to centre	SS	\$30.20	\$25.17	ea
83.80.328	350mm centre to centre	SS	\$30.72	\$25.60	ea
83.80.329	400mm centre to centre	SS	\$31.40	\$26.17	ea
83.80.330	450mm centre to centre	SS	\$33.20	\$27.67	ea
83.80.331	600mm centre to centre	SS	\$34.80	\$29.00	ea
83.80.332	750mm centre to centre	SS	\$39.10	\$32.58	ea
83.80.333	900mm centre to centre	SS	\$43.20	\$36.00	ea

## 90° Ambulant Grab Rail



- 32mm Ø #304 Stainless Steel
- Concealed Fix - 78mm Ø Mount
- Suits Right or Left Hand Installation
- GST exempt

Part No	Description	Finish	Price ea	Price /20	Per
83.80.112	450 x 450mm	SS	\$100.48	\$83.73	ea

## TOILET PARTITION HARDWARE - MISCELLANEOUS

### Aluminium Channel



- Interlocks with Aluminium Insert
- To suit 13mm toilet partition

Part No	Description	Finish	Price ea	Price /10	Per
84.13.180	1800mm long	ALU	\$18.91	\$15.76	ea
84.13.300	3000mm long	ALU	\$37.83	\$31.53	ea

- To suit 18mm toilet partition

Part No	Description	Finish	Price ea	Price /10	Per
84.18.180	1800mm long	ALU	\$20.26	\$16.88	ea
84.18.300	3000mm long	ALU	\$40.52	\$33.77	ea

### Aluminium Insert



- Interlocks with Aluminium Channel

Part No	Description	Finish	Price ea	Price /10	Per
85.13.180	Suits 13mm Channel - 1800mm long	ALU	\$11.30	\$9.42	ea
85.18.200	Suits 18mm Channel - 2000mm long	ALU	\$12.47	\$10.39	ea

